



Instruction Manual

Dogeroo, Super Dogeroo, and Mini Dogeroo

Model No. 8102, 8103, 8108



GOLD MEDAL[®] PRODUCTS CO.

10700 Medallion Drive, Cincinnati, Ohio 45241-4807 USA



SAFETY PRECAUTIONS

	⚠ DANGER
	<p>Machine must be properly grounded to prevent electrical shock to personnel. Failure to do so could result in serious injury, or death. Do NOT immerse any part of this equipment in water. Do NOT use excessive water when cleaning. Keep cord and plug off the ground and away from moisture. Always unplug the equipment before cleaning or servicing.</p> <p>008GEND1112</p>

	⚠ DANGER
	<p>Improper installation, adjustment, alteration, service or maintenance can cause property damage, injury or death. Any alterations to this equipment will void the warranty and may cause a dangerous condition. NEVER make alterations to this equipment. Read the Installation, Operating, and Maintenance Instructions thoroughly before installing, servicing, or operating this equipment. Make sure all machine switches are in the OFF position before plugging the equipment into the receptacle.</p> <p>014GEND1112</p>

	⚠ WARNING
	<p>To avoid burns, do NOT touch heated surfaces. Do NOT place or leave objects in contact with heated surfaces.</p> <p>009GHW1112</p>

	⚠ WARNING
	<p>ALWAYS wear safety glasses when servicing this equipment.</p> <p>010GENW1112</p>

	⚠ CAUTION
	<p>Do NOT allow direct contact of this equipment by the public when used in food service locations. Only personnel trained and experienced in the equipment operation may operate this equipment. Carefully read all instructions before operation.</p> <p>012GENC1112</p>

	⚠ CAUTION
	<p>This machine is NOT to be operated by anyone under the age of 18.</p> <p>007GENC1112</p>

NOTE: Improvements are always being made to Gold Medal's equipment. This information may not be the latest available for your purposes. It is critical that you call Gold Medal's Technical Service Department at 1-800-543-0862 for any questions about your machine operations, replacement parts, or any service questions. *(Gold Medal Products Company does not assume any liability for injury due to careless handling and/or reckless operation of this equipment.)*

INSTALLATION INSTRUCTIONS

Inspection of Shipment

After unpacking, check thoroughly for any damage which may have occurred in transit. Claims should be filed immediately with the transportation company. The warranty does not cover damage that occurs in transit, or damage caused by abuse, or consequential damage due to the operation of this machine, since it is beyond our control.

Setup

1. Your machine is fully assembled and tested at the factory. Carefully remove the machine from the shipping cartons. Remove all packing material and tape.
2. If the optional sneeze guard has been purchased, place it over the corner posts.
3. Be sure to place your Dogeroo where the revolving hot dogs will attract the most attention.

Accessories Included With Your Machine



1 inch Dial Thermometer



9 inch Plastic Tongs


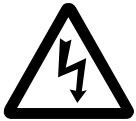
Electrical Requirements

The following power supply must be provided:

8102: 120Volts, 1440 Watts, 60Hz.

8103: 120Volts, 1788 Watts, 60Hz.

8108: 120Volts, 1080 Watts, 60Hz.

 DANGER	
	<p>Machine must be properly grounded to prevent electrical shock to personnel. Failure to do so could result in serious injury, or death.</p> <p>Do NOT immerse any part of this equipment in water.</p> <p>Do NOT use excessive water when cleaning.</p> <p>Keep cord and plug off the ground and away from moisture.</p> <p>Always unplug the equipment before cleaning or servicing.</p>

Your electrician must furnish sufficient power for proper machine operation. We recommend this equipment be on a dedicated and protected circuit. Failure to wire properly will void the warranty and may result in damage to the machine. It is Gold Medal Products Company's recommendation that this machine be plugged directly into a wall outlet. The use of extension cords is not recommended due to safety concerns, and may cause sacrificed and/or reduced performance.

Before You Plug In Machine

1. Make sure all machine switches are in the OFF position before plugging the equipment into the receptacle.
2. Make sure the wall outlet can accept the grounded plugs (where applicable) on the power supply cord.
3. The wall outlet must have the proper polarity. If in doubt, have a competent electrician inspect the outlet and correct if necessary.
4. **DO NOT** use a grounded to un-grounded receptacle adapter.
5. Install the unit in a level position.



OPERATING INSTRUCTIONS

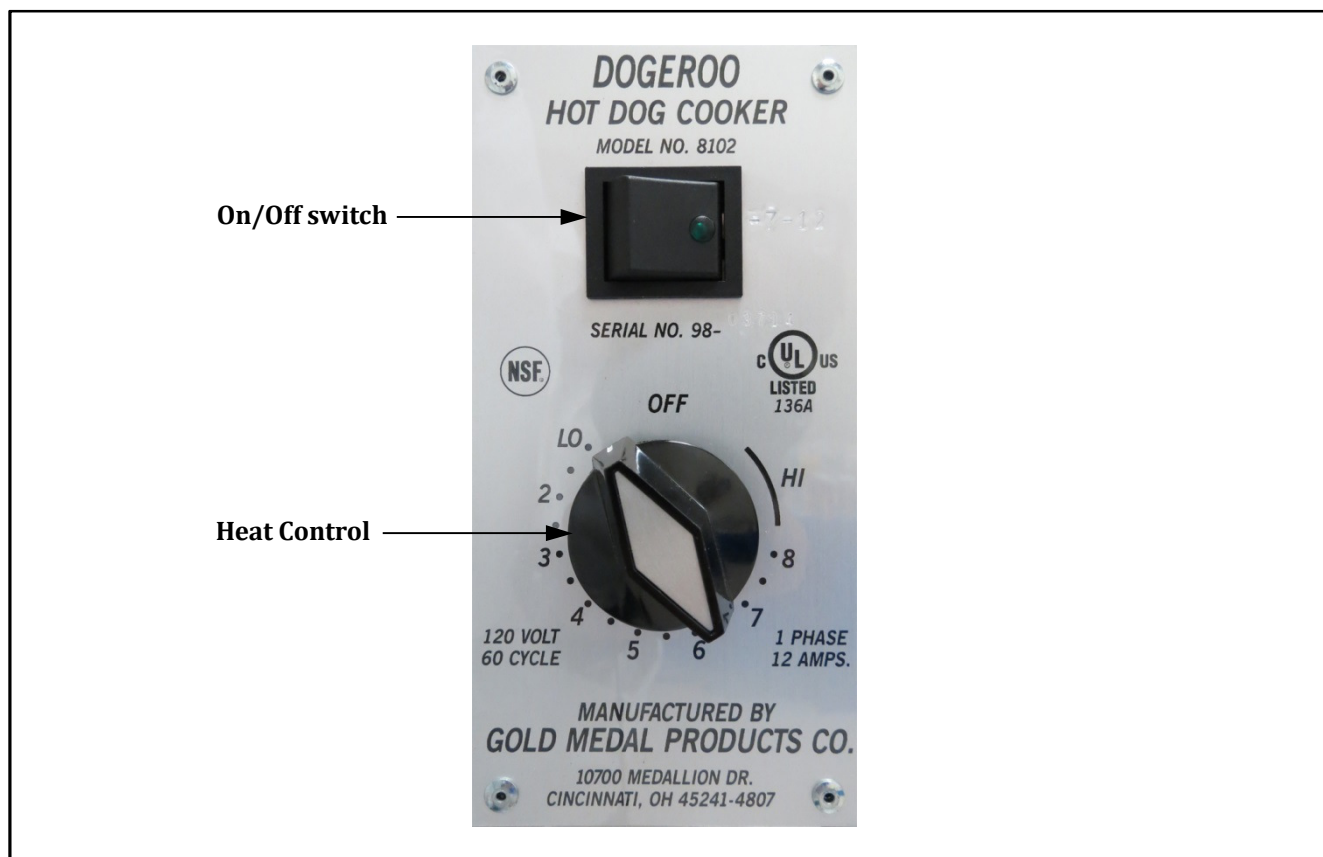
Controls and Their Functions

ON/OFF SWITCH

Flipping the lever of this switch to the "ON" position will energize the drive motor which rotates the rotisserie. It also lights the 40 Watt bulb behind the front glass and completes the circuit to the heat control.

HEAT CONTROL

The infinite heat control allows you to vary the operating temperature of the heating element. When this control is in any position other than "OFF", the red pilot light will be on. When the control is set at the "HI" position, the heating element is energized continually.





Specifications for Each Machine

	Dogeroo Model 8102	Super Dogeroo Model 8103	Mini Dogeroo Model 8108
Hot Dogs	56	84	14
Buns	28	42	14

Operating Procedure

1. Pour 1 ½ quarts of water into the water pan (about 5/8" deep). This will keep the buns moist and warm. Use hot water to speed the process. **Do NOT** overfill! Overfilling will result in too much steam.
2. Place buns in the bun warmer basket.
3. Note: Some buns collect more moisture than others due to their texture.
4. Place the hot dogs on the rotisserie.
5. When ready to start cooking, move the rocker switch to the "ON" position. This will rotate the rotisserie clockwise and light the bulb behind the silk screened sign.
6. The time required to broil the hot dogs will vary, depending upon size and temperature (35-37° F refrigerated) of the hot dogs when placed in the Dogeroo.

With the heat control set on "HI" and using average size hot dogs, it will take from 10-15 minutes to have the hot dogs ready for 145° F cook temperature. Watch the dogs carefully the first several times you cook to avoid blistering or burning the hot dogs.

After the hot dogs are cooked, reduce the heat control setting to one which will keep the hot dogs at the 140° F minimum serving temperature. Hot dogs can be kept on the rotisserie for several hours without shriveling or loss of flavor, if the heat control is properly set.

CARE AND CLEANING

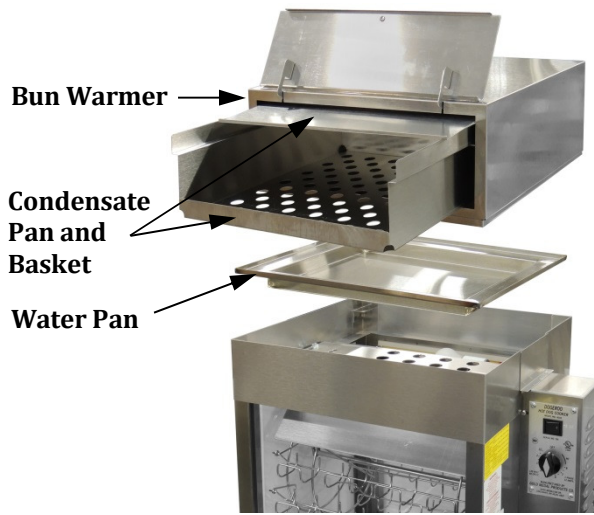
	⚠ DANGER
	Machine must be properly grounded to prevent electrical shock to personnel. DO NOT immerse in water. Always unplug the equipment before cleaning or servicing.

Good sanitation practice demands that all food preparation equipment be cleaned regularly. A clean looking, well-kept machine is one of the best ways of advertising your product.

The Dogeroo, Super Dogeroo, and Mini Dogeroo have been designed to disassemble quickly, without the use of special tools, for easy cleaning.

1. Disconnect power supply cord. Be sure unit has cooled sufficiently to permit safe handling.
2. Remove the condensate pan and basket from the bun warmer.
3. Remove the door from the bun warmer by sliding the pivot pin to the left or the right to disengage.
4. Lift the bun warmer from the top of the top frame assembly. Lift out the water pan from the top frame assembly.
5. Lift the power assembly from frame. This assembly must be cleaned by wiping with a damp cloth.
6. Lift the left end of the rotisserie from the end support. Slide rotisserie to left and disengage from motor coupling.
7. Lift out the drip pan. Slide the front and side glass upward in the slots designed in the corner posts for glass removal.
8. All parts (except power assembly) may be immersed or flooded with water for cleaning. Use a cleanser/sanitizer recommended or approved by your local Board of Health. Wipe all parts dry.
9. Reassemble in reverse order.

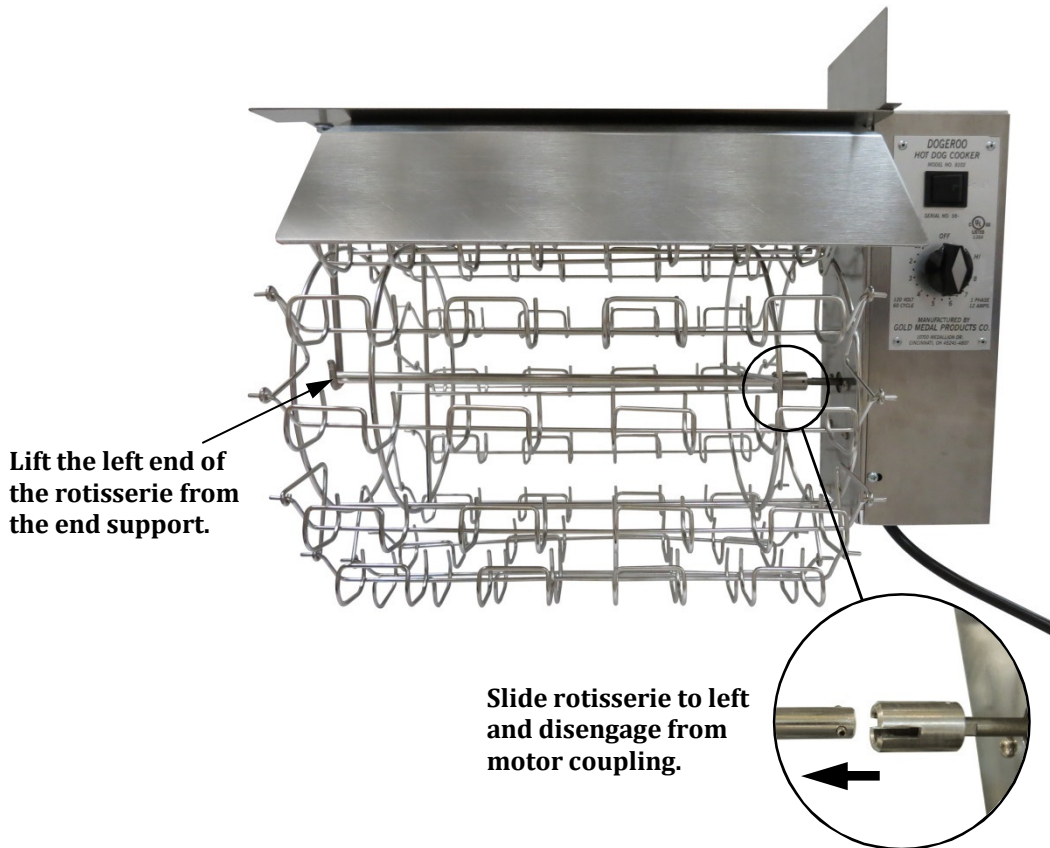
Care and Cleaning – Pan and Rotisserie Removal/Reassembly



Removing/Reassembly of Pans



Removing/Reassembly of Power Assembly



Removing/Reassembly of Rotisserie

TROUBLESHOOTING

Hot Dogs are Dropping from the Cradle

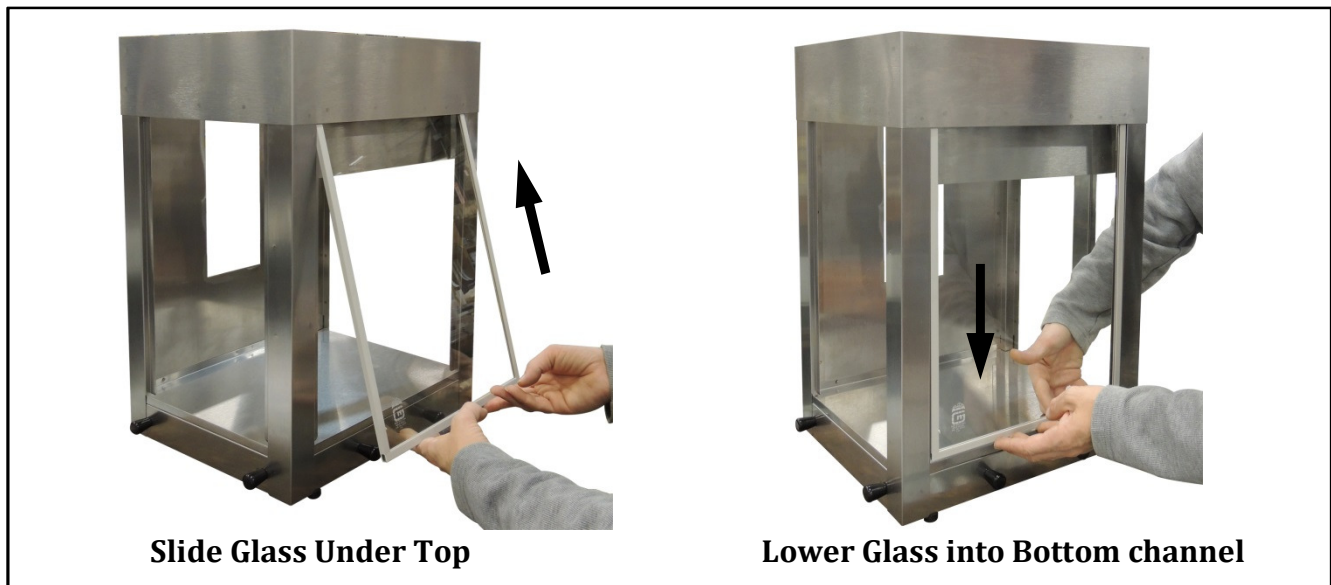
The rotisserie cradle is bent. Be careful removing and reinstalling the cradles. Bent cradles will not pivot freely in the rotisserie and can allow hot dogs to drop out as the unit rotates.

REPLACING BROKEN GLASS

If you accidentally break a panel of glass, it can be replaced very easily.

Note: Gold Medal Products Co. does NOT ship glass. Obtain replacement glass from your local hardware store and always purchase double strength type glass.

1. Remove all loose pieces of glass.
2. Remove all rigid glass channels from around the glass to be replaced. Set it aside as it must be reused.
3. Carefully remove the rest of the broken glass.
4. Apply decals (if desired) to the new glass panel.
5. Slide rigid glass channels over the exposed sides and bottom. Front and side glass slide under top and is then lowered into bottom channel.




Glass Dimensions

Side Glass: 1/8" x 11 29/32" x 16 3/16 (All Models)


Front Glass: 1/8" x 13 29/32" x 16 3/16 (Model 8102 Dogeroo)
1/8" x 19 29/32" x 16 3/16 (Model 8103 Super Dogeroo)
1/8" x 8 29/32" x 16 3/16 (Model 8108 Mini Dogeroo)




MAINTENANCE INSTRUCTIONS

	⚠ DANGER
	Improper installation, adjustment, alteration, service, or maintenance can cause property damage, injury or death. Read the installation, Operating, and Maintenance Instructions thoroughly before installing or servicing this equipment.

	⚠ DANGER
	Do Not immerse the equipment in water. Unplug your machine before servicing.

	⚠ WARNING
	Adequate eye protection must be used when servicing this equipment to prevent eye injury.

	⚠ CAUTION
	THE FOLLOWING SECTIONS OF THIS MANUAL ARE INTENDED ONLY FOR QUALIFIED SERVICE PERSONNEL WHO ARE FAMILIAR WITH ELECTRICAL EQUIPMENT. THESE ARE NOT INTENDED FOR THE OPERATOR.



ORDERING SPARE PARTS

1. Identify the needed part by checking it against the photos, illustrations, and/or parts list.
2. When ordering, please include part number, part name, and quantity needed.
3. Please include your model number, serial number, and date of manufacture (located on the machine nameplate) with your order.
4. Address all parts orders to:

Parts Department
Gold Medal Products Co.
10700 Medallion Drive
Cincinnati, Ohio 45241-4807

Or, place orders by phone or online:

Phone: (800) 543-0862
(513) 769-7676

Fax: (800) 542-1496
(513) 769-8500

E-mail: info@gmpopcorn.com

Web Page: www.gmpopcorn.com

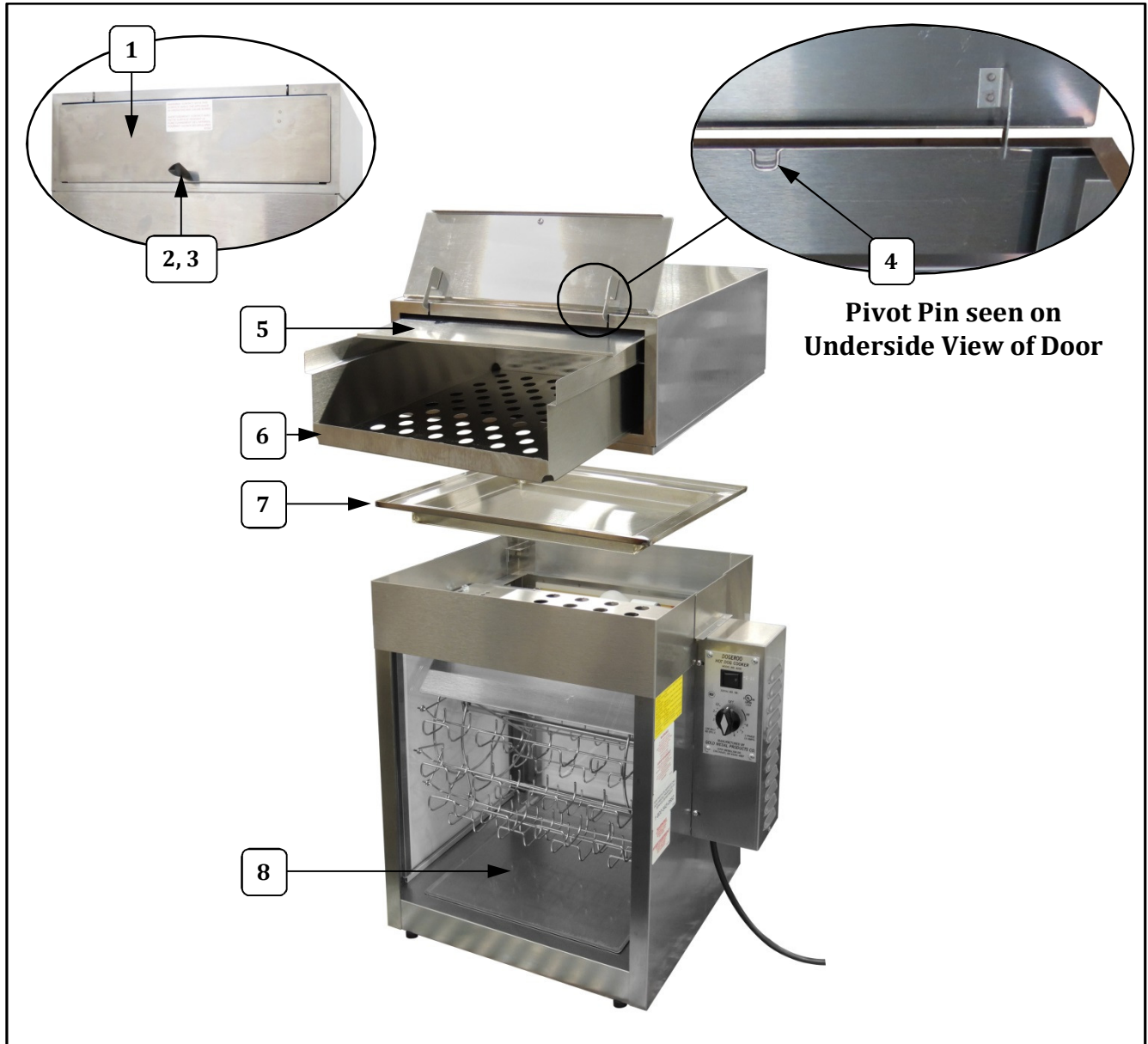
Cabinet Exterior – Front View



Item	Part Description	Qty.	Part Number		
			8102	8103	8108
1	DOME (Bun Warmer)	1	87685	87723	87823
2	RUBBER BUMPER/FOOT	4	87247	87247	87247
3	KNOB	4	47120	47120	47120
4	8-32 X 3/8 PAN HD PH M/S	4	12389	12389	12389



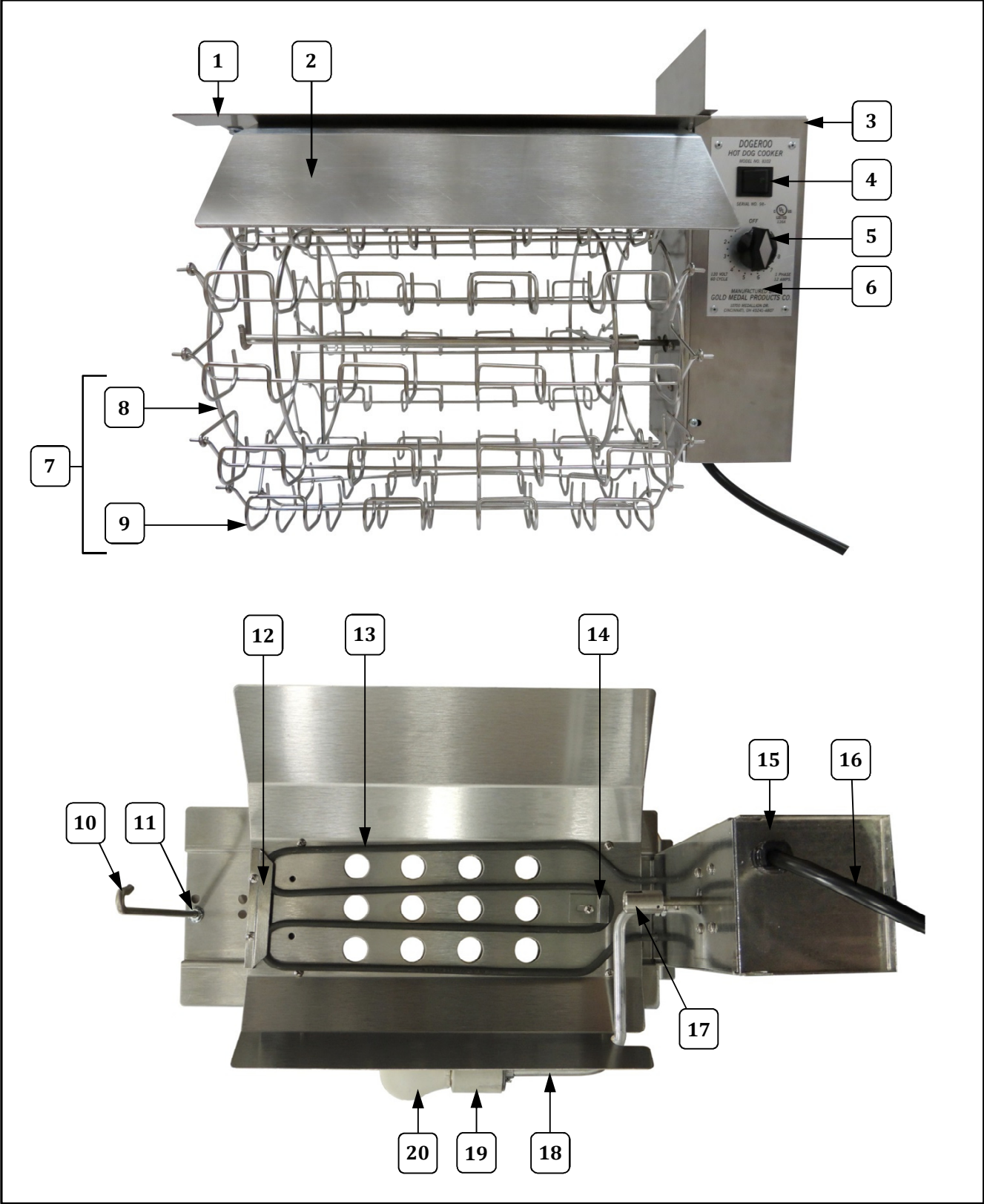
Cabinet Exterior – Back View



Item	Part Description	Qty.	Part Number		
			8102	8103	8108
1	DOOR ASSEMBLY	1	87037	87121	87884
2	KNOB LID LIFT	1	47120	47120	47120
3	8-32 X 3/8 PAN HD PH M/S	1	12389	12389	12389
4	PIVOT PIN (rod to pivot hinge)	1	87069	87125	87885
5	CONDENSATE PAN	1	87034	87109	87937
6	BUN WARMER BASKET	1	87689	87725	87825
7	WATER PAN	1	87690	87726	87826
8	DRIP PAN	1	87082	87116	87218



Power/Control Unit and Rotisserie

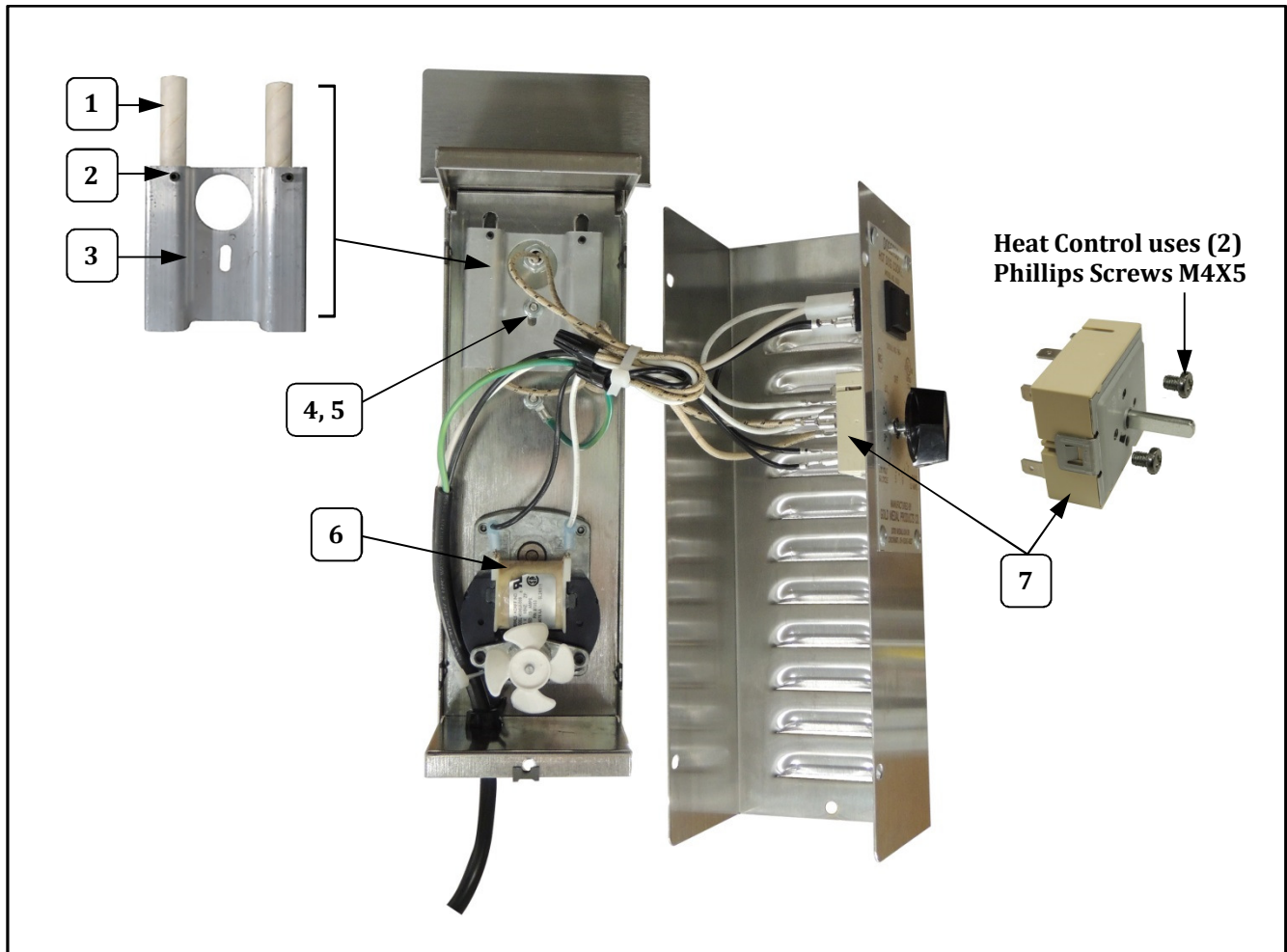




Power/Control Unit and Rotisserie – Parts List

Item	Part Description	Qty.	Part Number		
			8102	8103	8108
1	MOTOR AND ELEMENT SUPPORT	1	87668	87715	87815
2	HEAT REFLECTOR ASSEMBLY	1	87671	87717	87817
3	CONTROL PANEL COVER	1	87669	87669	87669
4	SWITCH, LIGHTED ROCKER GR	1	42798	42798	42798
5	KNOB, HEAT SWITCH	1	47049	47049	47049
6	SWITCH PLATE	1	87733	87734	87829
7	ROTISSERIE ASSEMBLY (includes Rotisserie and cradles)	1	87739	87127	87882
8	ROTISSERIE	1	87737	87153	87830
9	ROTISSERIE CRADLE	14	87740	87151	87831
10	END SUPPORT, ROTISSERIE	1	87020	87020	87020
11	¼-20 SERRATED NUT	2	46311	46311	46311
12	OFFSET STRIP	1	87079	87079	87079
13	HEAT ELEMENT	1	88160	87122	87915
14	BRACKET, ELEMENT TIE DOWN	1	87080	87080	87080
15	STRAIN RELIEF	1	67060	67060	67060
16	POWER CORD, 15 AMP	1	87085	87085	87085
17	MOTOR ASSEMBLY	1	87713	87713	87713
18	SOCKET SUPPORT TUBE	1	87708	87728	87828
19	LAMP SOCKET	1	11034	11034	11034
20	COATED 40W CLEAR BULB	1	87065C	87065C	87065C

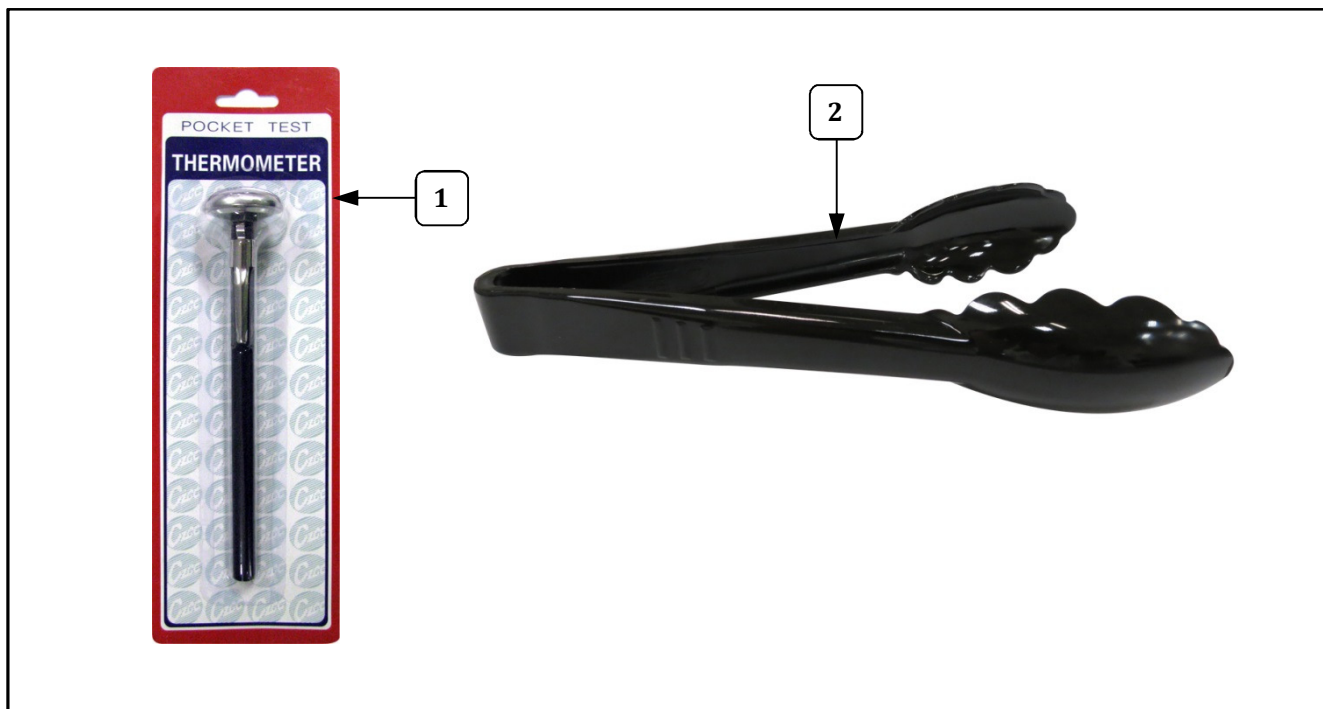
Power/Control Unit - Interior



Item	Part Description	Qty.	Part Number		
			8102	8103	8108
1	INSULATOR TUBE	2	87039	87039	87039
2	8-32 SET SCREW	2	48040	48040	48040
3	INSULATOR BLOCK	1	87158	87158	87158
4	8-32 X 1/2 PH PAN SCREW	1	42226	42226	42226
5	8-32 SERRATED NUT	1	61151	61151	61151
6	MOTOR ASSEMBLY	1	87713	87713	87713
7	HEAT CONTROL	1	87297	87297	87297



Accessories

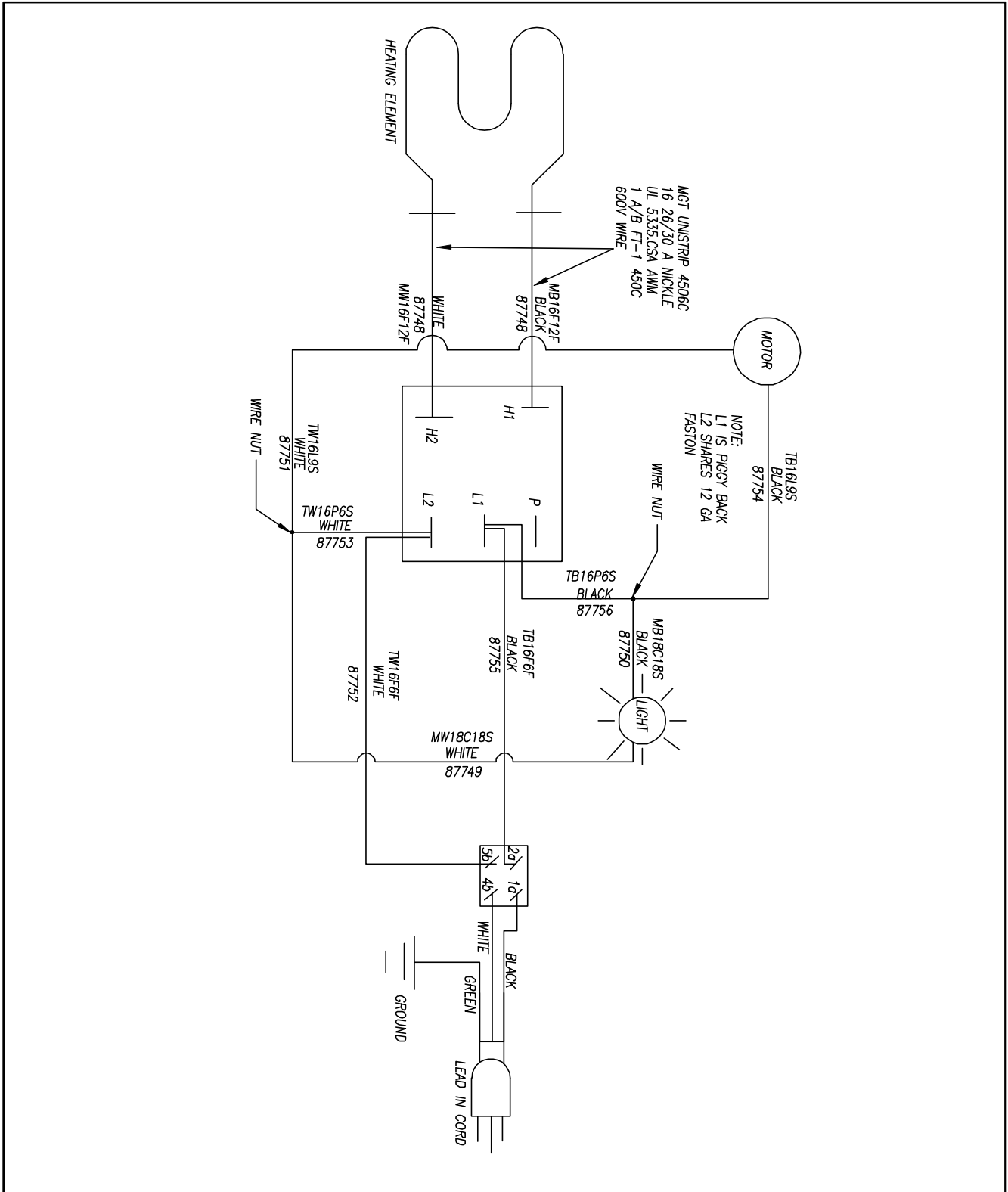


Item	Part Description	Qty.	Part No.
1	1 IN. DIAL THERMOMETER	1	8000
2	9 INCH PLASTIC TONGS	1	87092



WIRING DIAGRAM

Model No. 8102, 8103, 8108





WARRANTY

Gold Medal Products Co. warrants to the original purchaser each item of its manufacture to be free of defects in workmanship and material under normal use and service. Gold Medal Products Co.'s obligation under this warranty is limited solely to repairing or replacing parts, f.o.b. Cincinnati, Ohio, which in its judgment are defective in workmanship or material and which are returned, freight prepaid, to its Cincinnati, Ohio factory or other designated point. Except for "Perishable Parts" on specific machines, the above warranty applies for a period of two (2) years from the date of original sale to the original purchaser of equipment when recommended operating instructions and maintenance procedures have been followed. These are packed with the machine. Parts warranty is two (2) years, labor is six (6) months.

THIS WARRANTY IS IN LIEU OF ALL OTHER WARRANTIES EXPRESSED OR IMPLIED, AND OF ALL OTHER OBLIGATIONS OR LIABILITIES ON OUR PART, INCLUDING THE IMPLIED WARRANTY OF MERCHANTABILITY. THERE ARE NO WARRANTIES WHICH EXTEND BEYOND THE DESCRIPTION ON THE FACE HEREOF. In no event shall Gold Medal Products Co. be liable for special, incidental or consequential damages. No claim under this warranty will be honored if the equipment covered has been misused, neglected, damaged in transit, or has been tampered with or changed in any way. No claim under this warranty shall be honored in the event that components in the unit at the time of the claim were not supplied or approved by Gold Medal Products Co. This warranty is effective only when electrical items have been properly attached to city utility lines only at proper voltages. This warranty is not transferable without the written consent of Gold Medal Products Co.

The term "Original Purchaser" as used in this warranty shall be deemed to mean that person, firm, association, or corporation who was billed by the GOLD MEDAL PRODUCTS CO., or their authorized distributor for the equipment.

THIS WARRANTY HAS NO EFFECT AND IS VOID UNLESS THE ORIGINAL PURCHASER FIRST CALLS GOLD MEDAL PRODUCTS CO. AT 1-800-543-0862 TO DISCUSS WITH OUR SERVICE REPRESENTATIVE THE EQUIPMENT PROBLEM, AND, IF NECESSARY, FOR INSTRUCTIONS CONCERNING THE REPAIR OR REPLACEMENT OF PARTS.

NOTE: This equipment is manufactured and sold for commercial use only.



GOLD MEDAL[®] PRODUCTS CO.

10700 Medallion Drive, Cincinnati, Ohio 45241-4807 USA

gmpopcorn.com

Phone: (800) 543-0862 Fax: (800) 542-1496
(513) 769-7676 (513) 769-8500